



Inspection

Troubleshooting of the speakers

⚠ CAUTION

When handling the speakers :

- Do not cause shock to the speakers by dropping or throwing them.
- Be careful not to drop water and oil on the speakers.
- Use caution to handle the speaker because diaphragm made of paper is easily torn by impact or external force.
- Audio system tuning may cause damage to the speakers. The modified speakers are not covered by the manufacturer's warranty.

1. Basic inspection

Loosen the screws to rule out the interference from the body trims and surrounding parts and then remove the speaker. After removing the speaker, check the sound quality of the speaker with the connector plugged in.

2. Inspection for each cause

(1) Abnormal vibration

- Make sure the mounting screws are properly tightened before replacing the speaker.
- Reinstall the speaker and check that the symptom is resolved.
- If the symptom does not disappear, replace the speaker with a new one.

(2) Noise

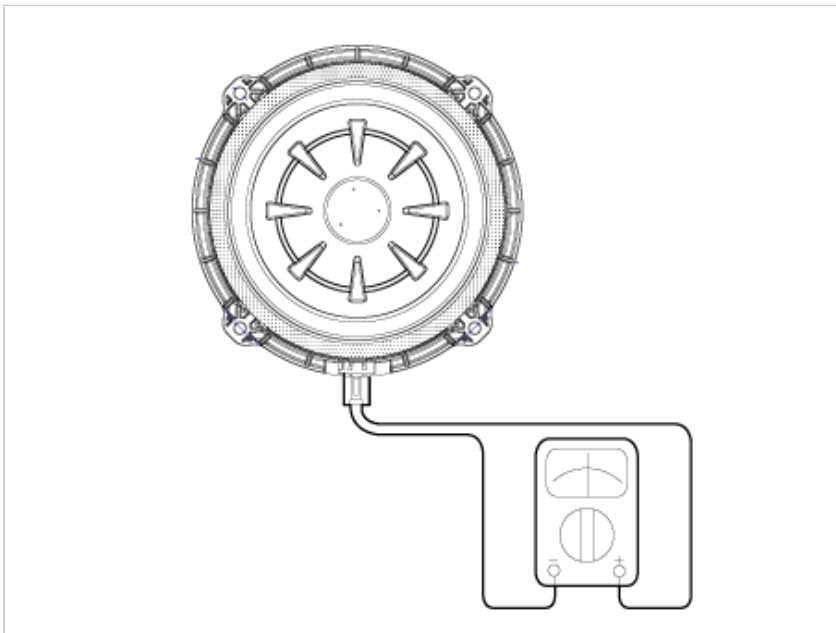
- Check that the speaker connector is properly connected and reinstall the connector if necessary.
- If noises occur in the radio mode, turn to the CD player mode.
- If noises occur in both modes, replace the speaker with a new one.

NOTICE

If noises occur only in the radio mode, the poor radio reception is the cause so do not replace the speaker.

(3) Poor working

- Check the plus (+) and negative (-) speaker terminals using an ohmmeter.
- If resistance is measured at the specified value shown below, the speaker operation is normal.
- If the measured resistance is different from the specified value, replace the speaker.

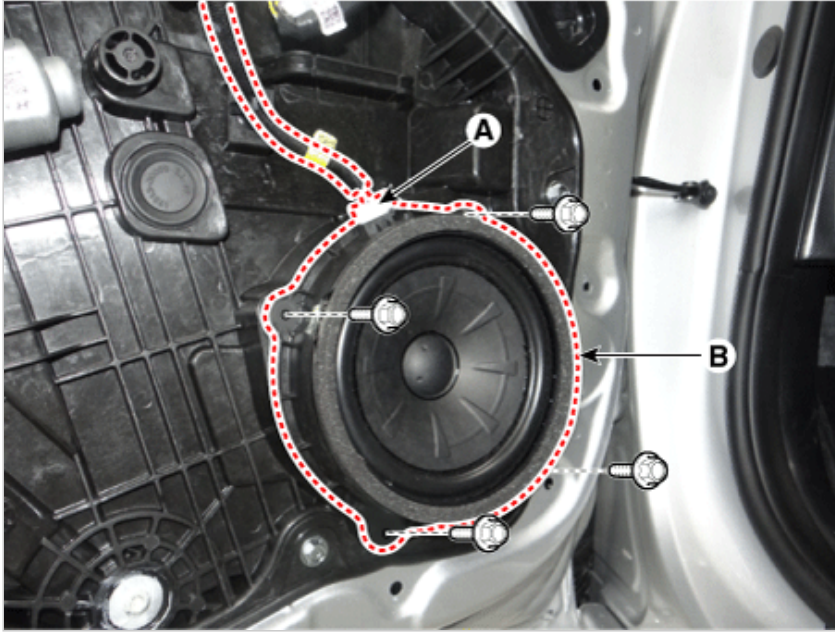


Removal

Front Door Speaker

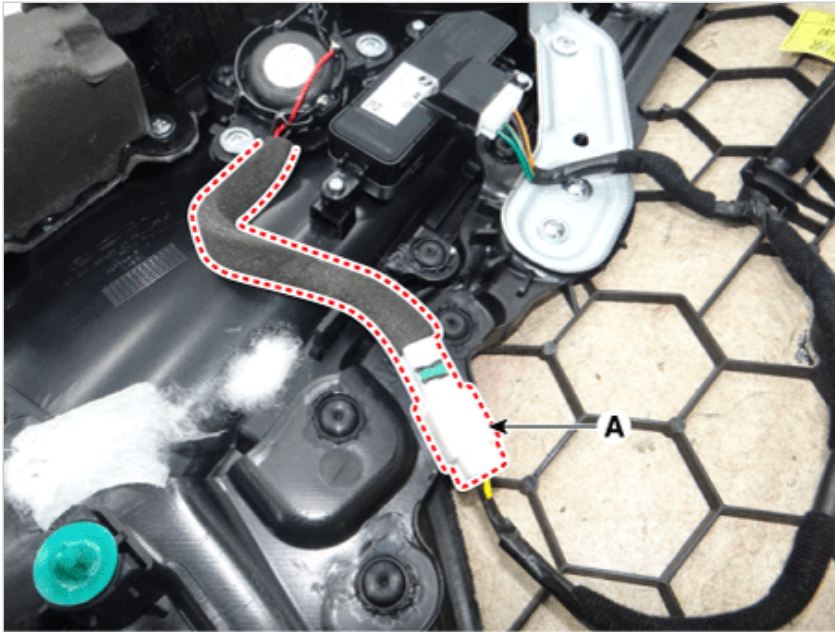
1. Disconnect the negative (-) battery terminal.

2. Remove the front door trim.
(Refer to Body - "Front Door Trim")
3. Remove the front door speaker (B) after disconnecting the connector (A) and loosening the bolts.

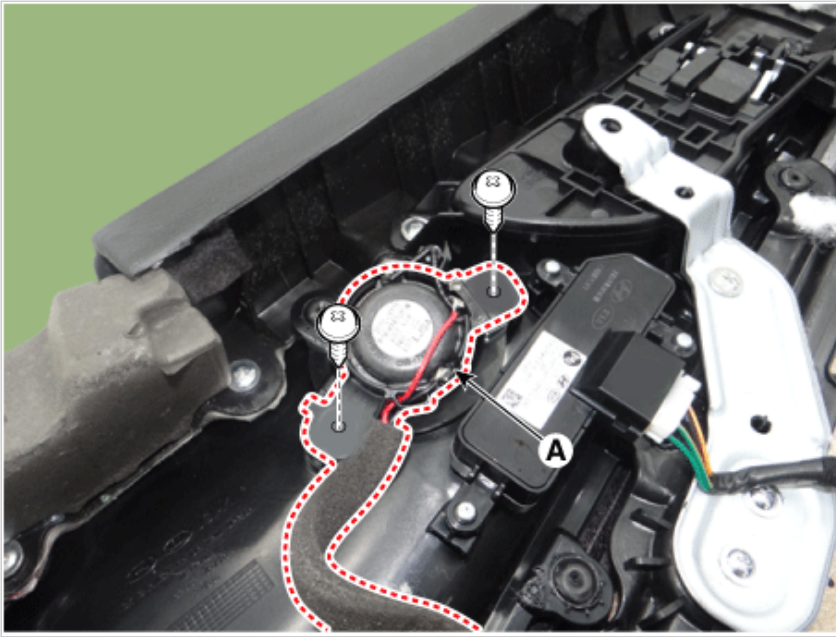


Front Tweeter Speaker

1. Disconnect the negative (-) battery terminal.
2. Remove the front door trim.
(Refer to Body - "Front Door Trim")
3. Disconnect the front tweeter speaker connector (A).



4. Remove the front tweeter speaker (A) after loosening the mounting screws.



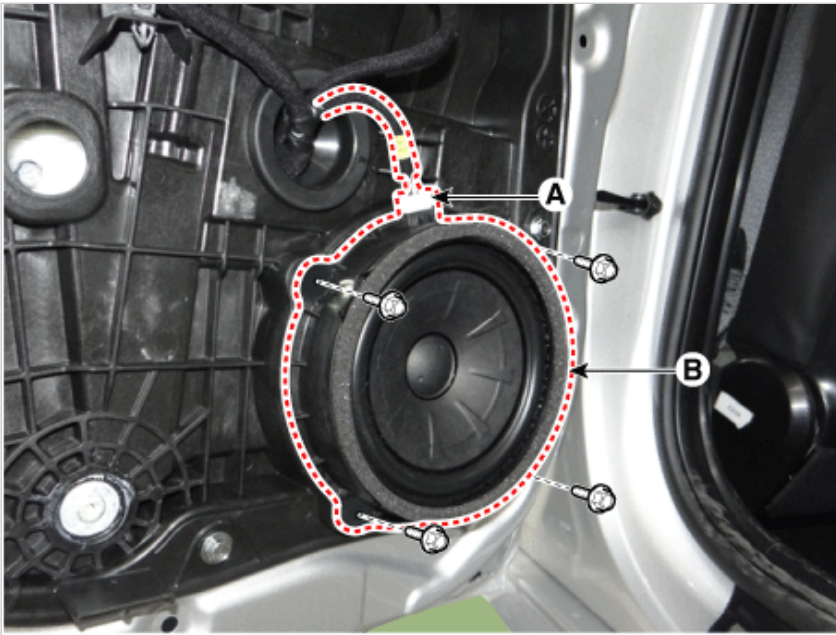
Front Midrange Speaker

1. Disconnect the negative (-) battery terminal.
2. Remove the front door trim.
(Refer to Body - "Front Door Trim")
3. Remove the front midrange speaker (B) after disconnecting the connector (A) and loosening the mounting screws.



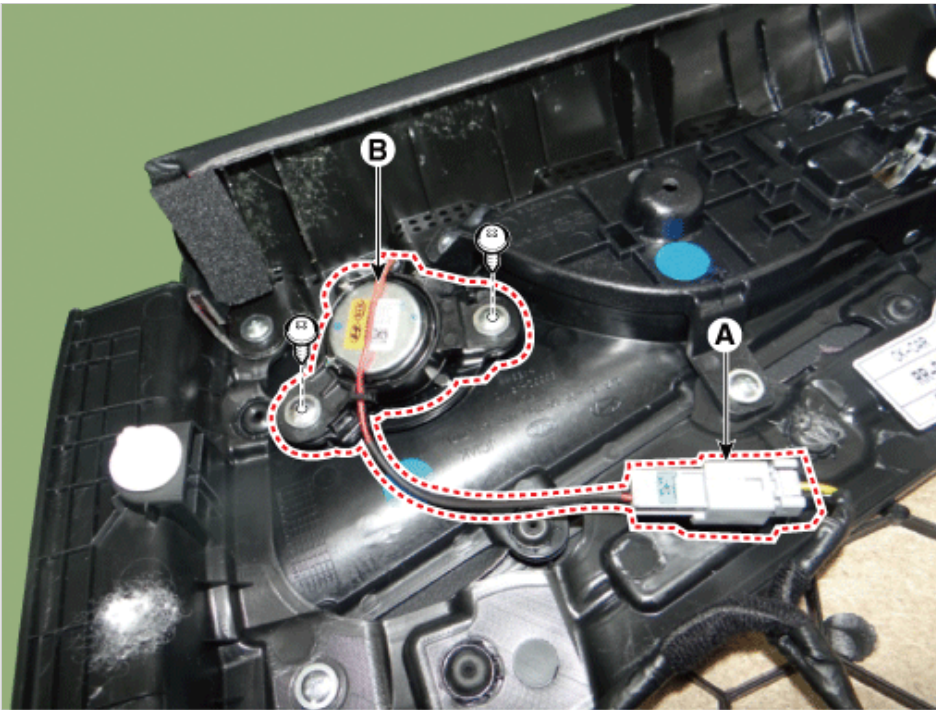
Rear Door Speaker

1. Disconnect the negative (-) battery terminal.
2. Remove the rear door trim.
(Refer to Body - "Rear Door Trim")
3. Remove the rear door speaker (B) after disconnecting the connector (A) and loosening the mounting bolts.



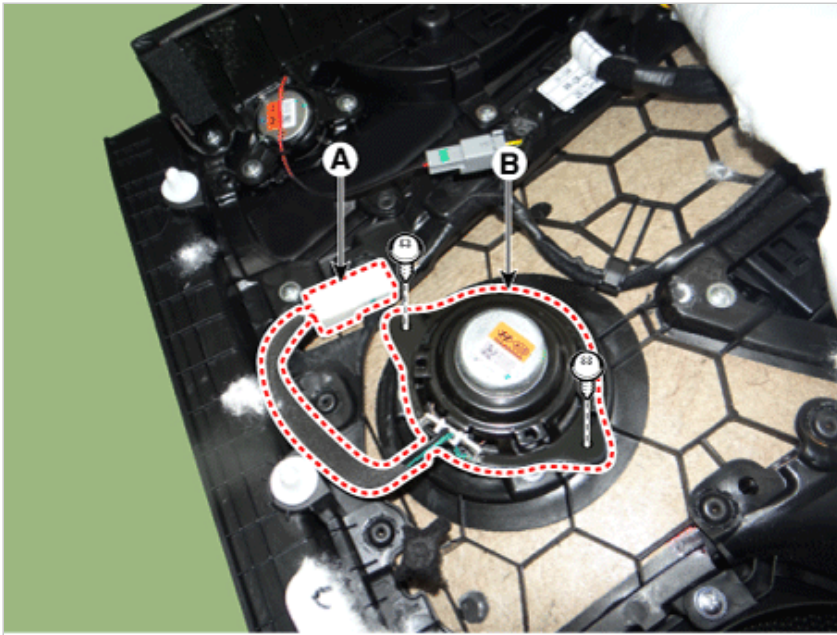
Rear Tweeter Speaker

1. Disconnect the negative (-) battery terminal.
2. Remove the rear door trim.
(Refer to Body - "Rear Door Trim")
3. Remove the rear tweeter speaker (B) after disconnecting the connector (A) and loosening the mounting screws.



Rear Midrange Speaker

1. Disconnect the negative (-) battery terminal.
2. Remove the rear door trim.
(Refer to Body - "Rear Door Trim")
3. Remove the rear midrange speaker (B) after disconnecting the connector (A) and loosening the mounting screws.

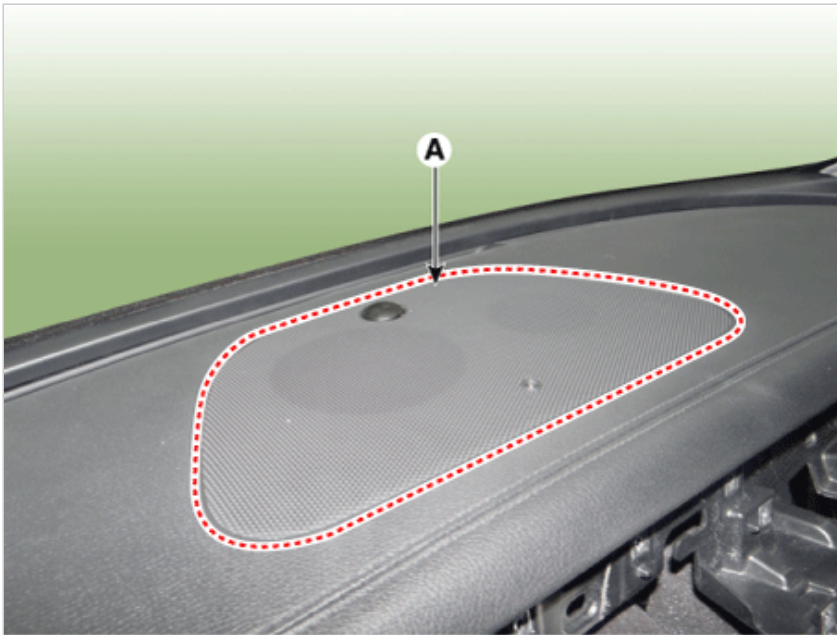


Crash Pad Center Speaker

NOTICE

Be careful not to scratch the crash pad and related parts

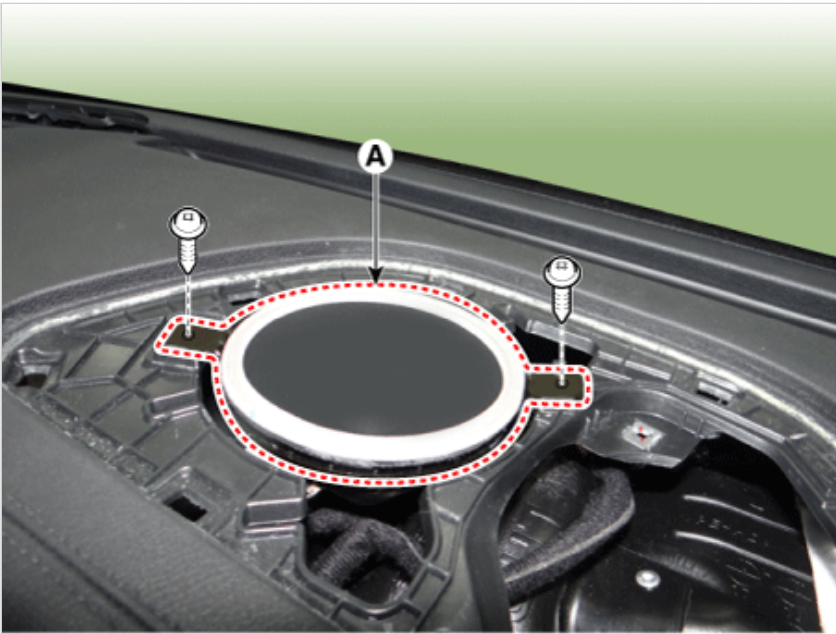
1. Disconnect the negative (-) battery terminal.
2. Using a scraper or remover, remove the crash pad center speaker grille (A).



3. Disconnect the security connector (A) and auto light & photo sensor connector (B).



4. Remove the crash pad center speaker (A) after loosening the mounting screws.

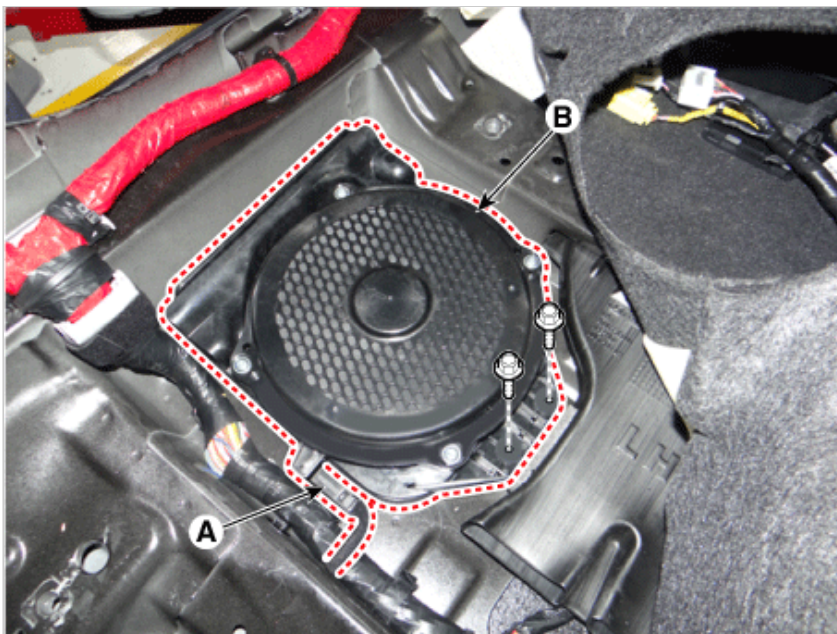


5. Disconnect the crash pad center speaker connector (A).



Sub Woofer Speaker

1. Disconnect the negative (-) battery terminal.
2. Remove the floor carpet.
(Refer to Body - "Floor Carpet")
3. Remove the sub woofer speaker (B) after disconnecting the connector (A) and loosening the mounting bolts.



Installation

Front Door Speaker

1. Install the front door speaker.
2. Install the front door trim.
3. Connect the negative (-) battery terminal.

Front Tweeter Speaker

1. Install the front tweeter speaker.
2. Install the front door trim.

3. Connect the negative (-) battery terminal.

Front Midrange Speaker

1. Install the front midrange speaker.
2. Install the front door trim.
3. Connect the negative (-) battery terminal.

Rear Door Speaker

1. Install the rear door speaker.
2. Install the rear door trim.
3. Connect the negative (-) battery terminal.

Rear Tweeter Speaker

1. Install the rear tweeter speaker.
2. Install the rear door trim.
3. Connect the negative (-) battery terminal.

Rear Midrange Speaker

1. Install the rear Midrange speaker.
2. Install the rear door trim.
3. Connect the negative (-) battery terminal.

Crash Pad Center Speaker

1. Install the crash pad center speaker.
2. Connect the security connector and auto light & photo sensor connector.
3. Install the crash pad center speaker grille.
4. Connect the negative (-) battery terminal.

Sub Woofer Speaker

1. Install the sub woofer speaker.
2. Install the floor carpet.
3. Connect the negative (-) battery terminal.